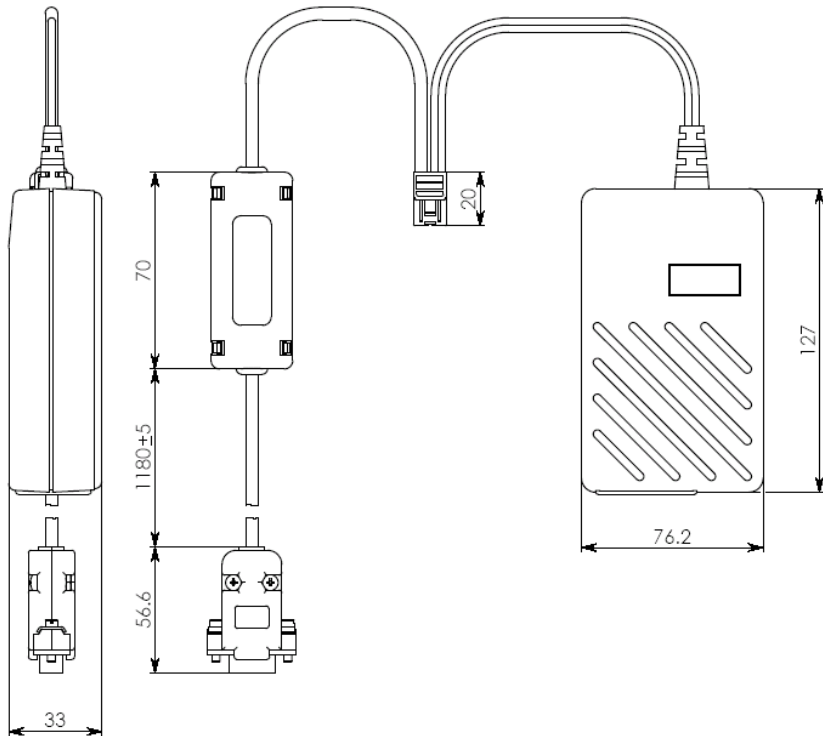


4. DIMENSIONS



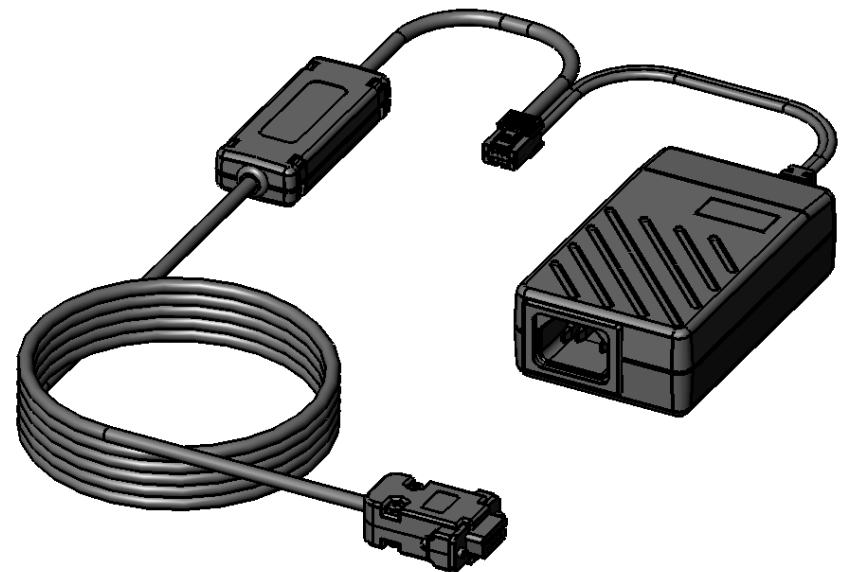
All dimensions are for references only.

CashCode Company Inc.
553 Basaltic Rd. Concord, Ontario Canada. L4K 4W8
TEL: (905) 303-8874 (800)-584-2633
FAX: (905) 303-8875 (800)-593-2633

© 1998-2006 CashCode Co. Inc PT# UG-OPT-PS7-MDB-24V_A 02/06



Adapter MDB with Power Supply Part Number: OPT-PS7-MDB-24V



1. GENERAL SPECIFICATIONS

1.1 Overview

The Adapter MDB provides wiring and signal adapting between the Bill Validator with MDB interface and Personal Computer (PC).
 The Adapter MDB converts signals of the MDB interface into communication signals of PC COM-port.

1.2 Power Supply

Input

Voltage.....100-240 VAC
 Frequency Range.....47-63 Hz
 Current.....1.0 Amp@100VAC

Output

Output Voltage.....24 VDC
 Output Current.....2.1 A
 Efficiency.....80% min at full load 115VAC

Line Regulation.....1% max
 Load Regulation.....5% max
 Ripple/noise(Vp-p).....1% (20 MHz)

Over voltage protection.....Built-in
 Over current protection.....Built-in
 Short circuit protection.....Pulsing Mode

EMI

Meets FCC class B, CISPR 22 class

Environmental

Operation temperature.....0°C to 40°C

2. INSTALLATION

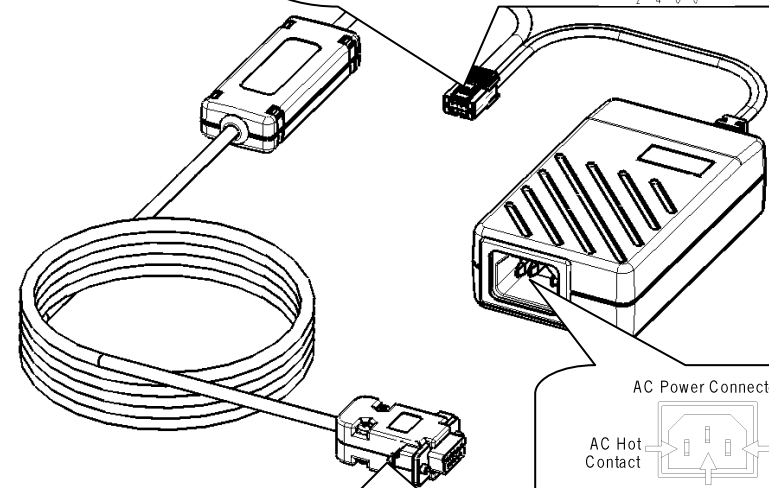
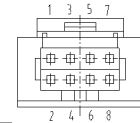
To install the Adapter, follow the steps described below:

- Connect 8-pin connector of the adapter to the connector of the Bill Validator
- Connect 9-pin connector of the adapter to the mating connector of PC communication port
- Set Jumpers and Switches of your Bill Validator in proper state. The Jumpers must be set for Single Price Interface.
- Connect power supply to the current source of 100-240 VAC

3. CONNECTOR PINOUT

8 pin MDB Interface Connector			
Terminal	Signal	Function	Wire Color
1	+24V DC	Power(+)	White/Black
2	Ground	Power(-)	Black
3	Ground	Ground	White
4	Additional output	Auxiliary	Green
5	Master receive	Receive	Blue
6	Additional input	Auxiliary	Brown
7	Common	Common	Red
8	Master transmit	Transmit	Orange

Molex, Part #: 15-04-5084
 50-57-9304
 16-02-0086



9 pin PC Connector			
Terminal	Signal	Function	Wire Color
2	RXD-PC	Receive	Red
3	TXD-PC	Transmit	Black
5	GND-PC	Ground	Green

AMP, Part#: 205203-1
 207908-1
 66569-2

